



NOTES :

- * THE COPYRIGHT OF THIS DRAWING REMAINS WITH BRENDAN E... IS NOT TO BE REPRODUCED WITHOUT WRITTEN APPROVAL.
- * ALL THE DIMENSIONS ARE IN MM.
- * DIMENSIONS ARE NOT TO BE SCALED FROM THE DRAWING UNLESS OTHERWISE SPECIFIED. THE CONTRACTOR IS TO CHECK DIMENSIONS AND REPORT BACK IF ANY DISCREPANCIES ARE FOUND.
- * THE DRAWING IS TO BE READ IN CONJUNCTION WITH OTHER SITE DOCUMENTATION.

NO.	DATE	DESCRIPTION	BY
R2	18.08.15	SITE CONSTRUCTION AREA REVISED	VS
R1	27.02.15	TRACK WAY ROUTE CHANGED.	VS

ISSUED FOR : **ENVIRONMENT AGENCY**



CLIENT NAME :
LOW CARBON HUB

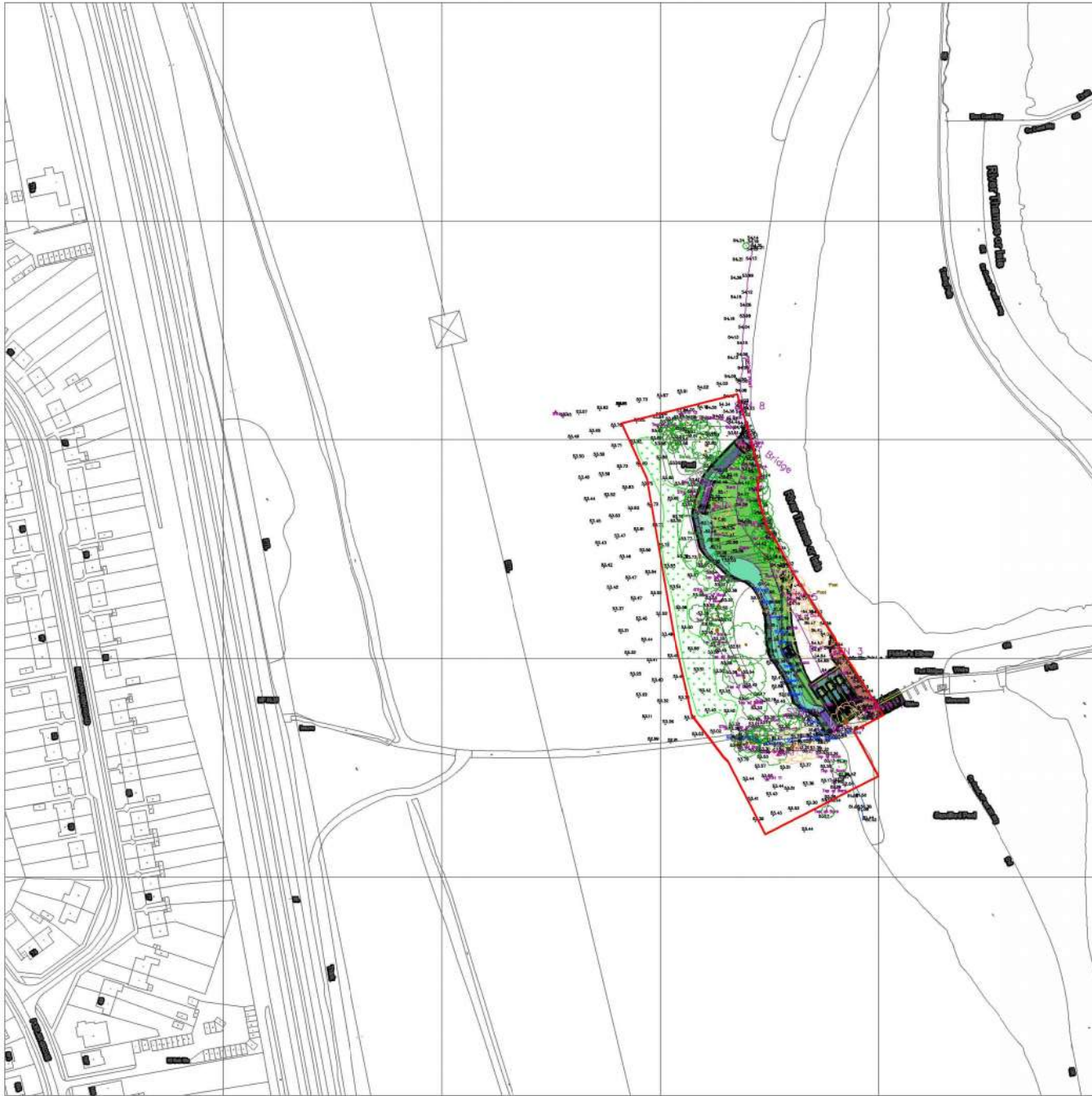
JOB TITLE :
PROPOSED SANDFORD WEIR HYDROPOWER

DRAWING TITLE :
SITE PLAN - APPROACH ROUTE PLAN

VIEWPORT : 01	LAYOUT : A3	DRAWING NO. -
DRAWN BY : VS/ST	CHECKED BY : BB	DWG-SW-SP-2R2
SCALE : 1:2500	DATE : 18.08.15	



Appendix 2



* ALL THE DIMENSIONS ARE IN MM.
 * DIMENSIONS ARE NOT TO BE SCALED FROM THE DRAWING UNLESS OTHERWISE SPECIFIED. THE CONTRACTOR IS TO CHECK ALL THE DIMENSIONS AND REPORT BACK IF ANY DISCREPANCIES ARE FOUND.
 * THE DRAWING IS TO BE READ IN CONJUNCTION WITH OTHER STANDARD DOCUMENTATION.

R1	28.01.15	AREA REVISED BECAUSE OF TERRITORY TRACKWAY	VS
NO.	DATE	REVISIONS	BY

DESCRIPTION
 ISSUED FOR : **ENVIRONMENT AGENCY**

KEY PLAN :

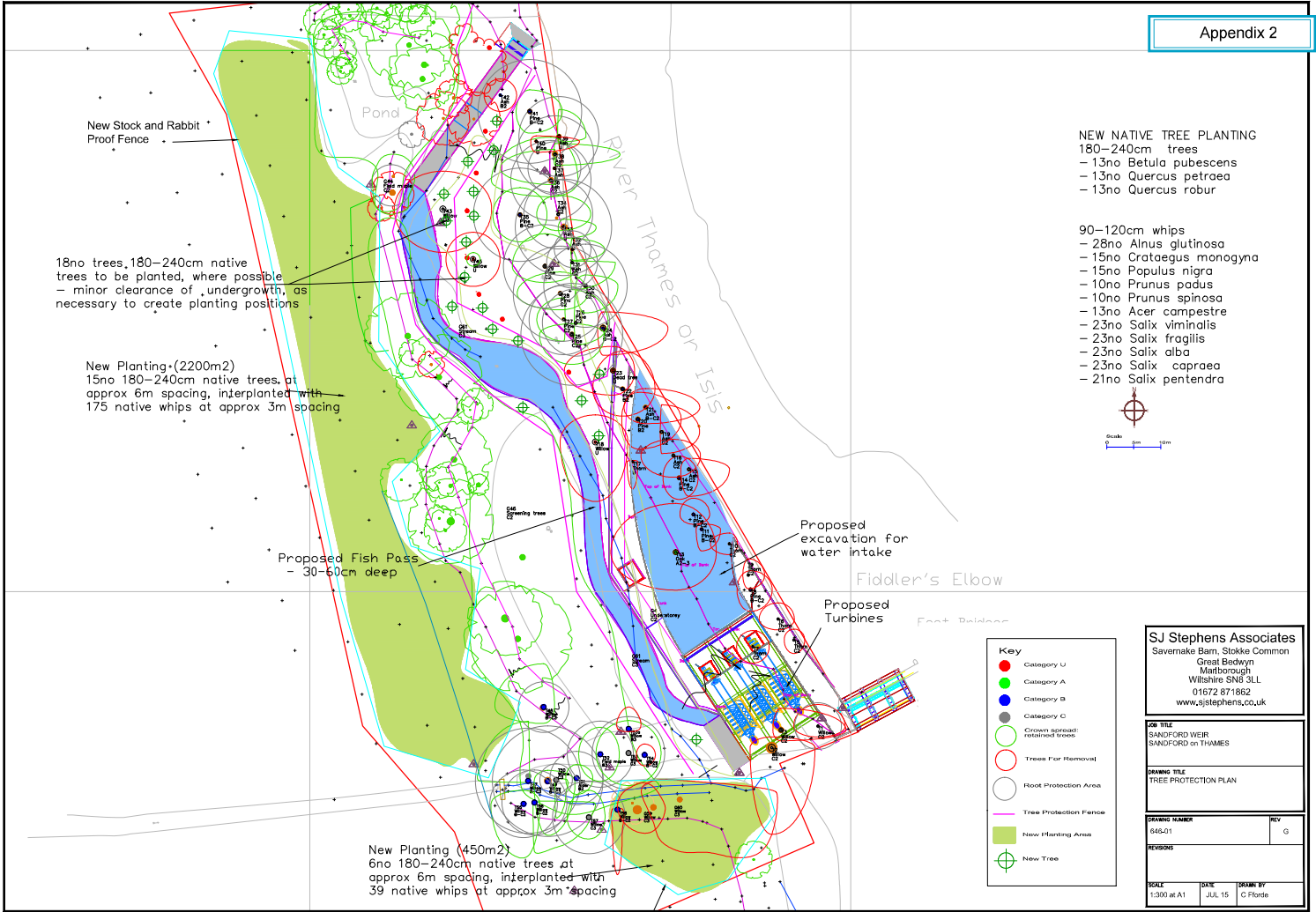
CLIENT NAME :
LOW CARBON HUB

JOB TITLE :
PROPOSED SANDFORD WEIR HYDROPOWER

DRAWING TITLE : **SITE PLAN**
SITE PLAN - CONSTRUCTION AREA

VIEWPORT : 01	LAYOUT : A3	DRAWING NO. -
DRAWN BY : VS/ST	CHECKED BY : BB	DWG-sw- SP-IR1
SCALE : 1:2000	DATE : 30/07/2015	





- NEW NATIVE TREE PLANTING**
 180-240cm trees
 - 13no *Betula pubescens*
 - 13no *Quercus petraea*
 - 13no *Quercus robur*

- 90-120cm whips
 - 28no *Alnus glutinosa*
 - 15no *Crataegus monogyna*
 - 15no *Populus nigra*
 - 10no *Prunus padus*
 - 10no *Prunus spinosa*
 - 13no *Acer campestre*
 - 23no *Salix viminalis*
 - 23no *Salix fragilis*
 - 23no *Salix alba*
 - 23no *Salix caprea*
 - 21no *Salix pentandra*



Key

- Category U
- Category A
- Category B
- Category C
- Crown spread retained trees
- Trees For Removal
- Root Protection Area
- Tree Protection Fence
- New Planting Area
- ⊕ New Tree

SJ Stephens Associates
 Savemake Barn, Stokke Common
 Great Bedwyn
 Marlborough
 Wiltshire SN8 3LL
 01672 871862
 www.sjstephens.co.uk

JOB TITLE
 SANDFORD WEIR
 SANDFORD on THAMES

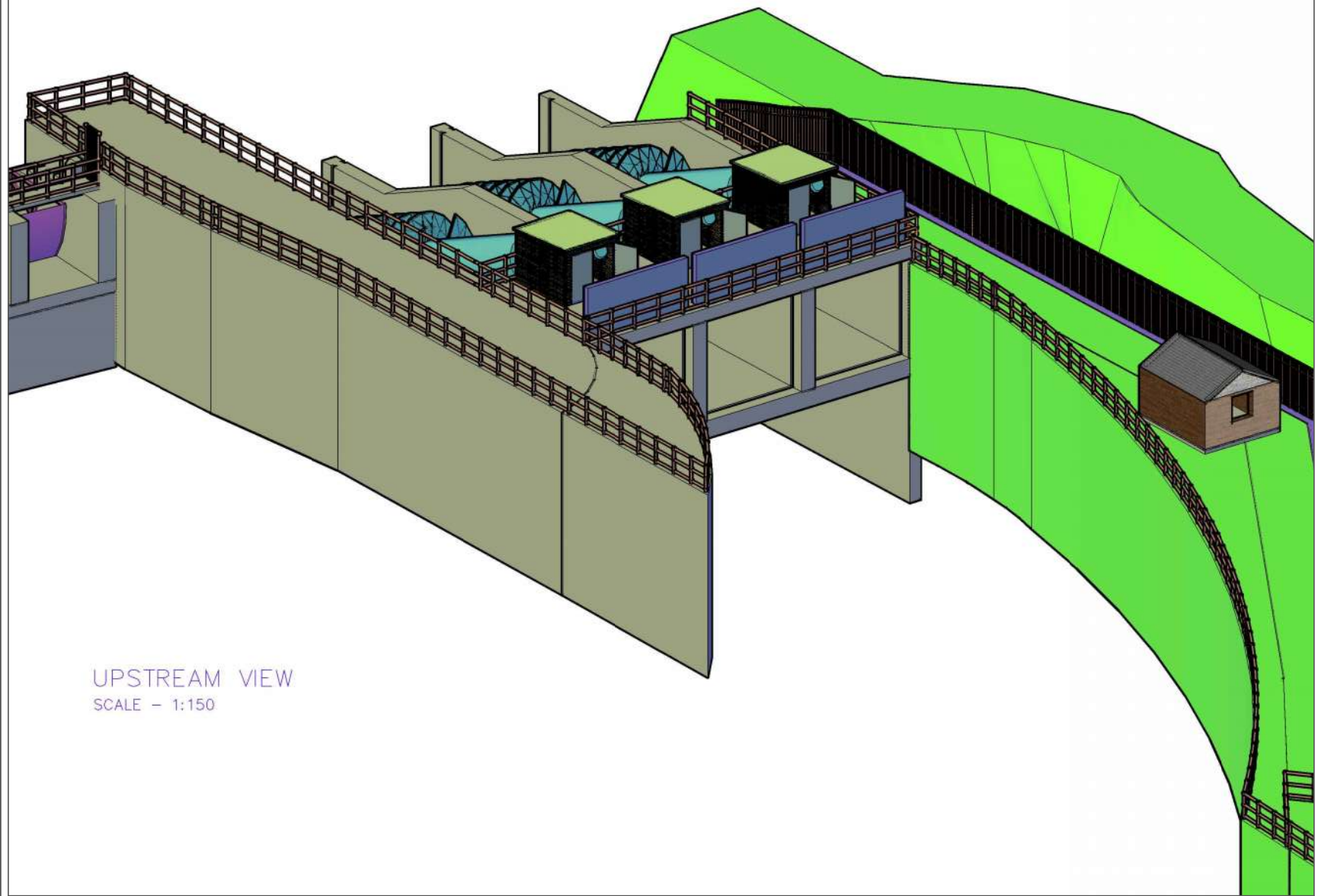
DRAWING TITLE
 TREE PROTECTION PLAN

DRAWING NUMBER 646-21 **REV** G

REVISIONS

SCALE	DATE	DRAWN BY
1:300 at A1	JUL 15	C Florde

Appendix 2



UPSTREAM VIEW
SCALE - 1:150

ALL THE DIMENSIONS ARE IN MILLIMETERS.
 * DIMENSIONS ARE NOT TO BE SCALED FROM THE DRAWING UNLESS OTHERWISE SPECIFIED. THE CONTRACTOR IS TO CHECK ALL THE DIMENSIONS AND REPORT BACK IF ANY DISCREPANCIES ARE FOUND.
 * THE DRAWING IS TO BE READ IN CONJUNCTION WITH OTHER STANDARD DOCUMENTATION.

NO.	DATE	DESCRIPTION	BY
R1	26.02.15	HUT RELOCATED	VS

ISSUED FOR : **ENVIRONMENT AGENCY**

KEY PLAN :

CLIENT NAME :
LOW CARBON HUB

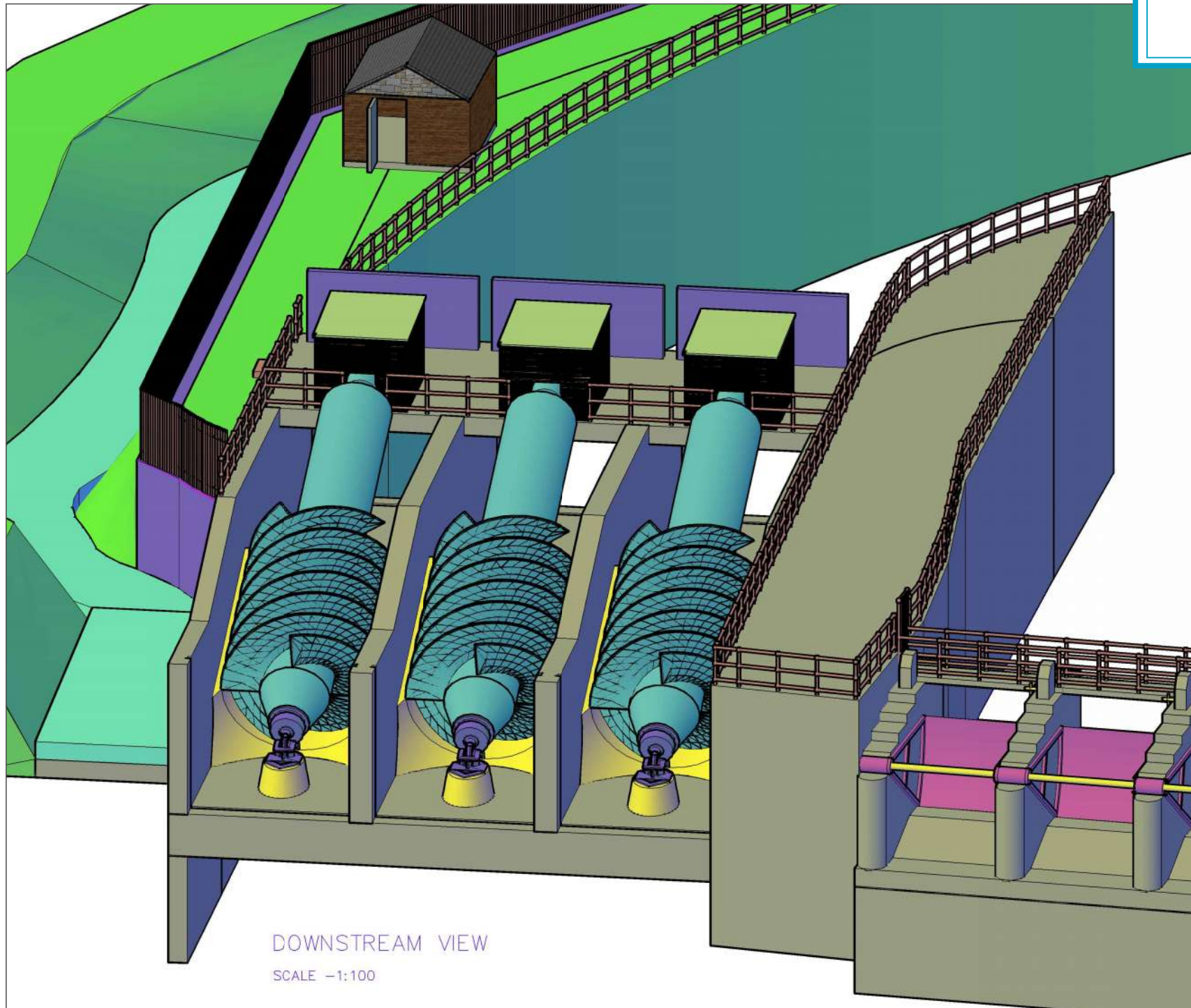
JOB TITLE :
PROPOSED SANDFORD WEIR HYDROPOWER SCHEME

DRAWING TITLE :
UPSTREAM VIEW

VIEWPORT : A3	LAYOUT : A3	DRAWING NO. : -
DRAWN BY : VS/ST	CHECKED BY : BB	DWG-SW-V2R1
SCALE : 1:150	DATE : 26.02.2015	



Appendix 2



DOWNSTREAM VIEW

SCALE -1:100

* ALL THE DIMENSIONS ARE IN MM.
 * DIMENSIONS ARE NOT TO BE SCALED FROM THE DRAWING UNLESS OTHERWISE SPECIFIED. THE CONTRACTOR IS TO CHECK ALL THE DIMENSIONS AND REPORT BACK IF ANY DISCREPANCIES ARE FOUND.
 *THE DRAWING IS TO BE READ IN CONJUNCTION WITH OTHER STANDARD DOCUMENTATION.

RI	26.02.15	HUT RELOCATED	VS
NO.	DATE	DESCRIPTION	BY

REVISIONS

ISSUED FOR : ENVIRONMENT AGENCY

KEY PLAN :

CLIENT NAME :
 LOW CARBON HUB

JOB TITLE :
 PROPOSED SANDFORD WEIR HYDROPOWER SCHEME

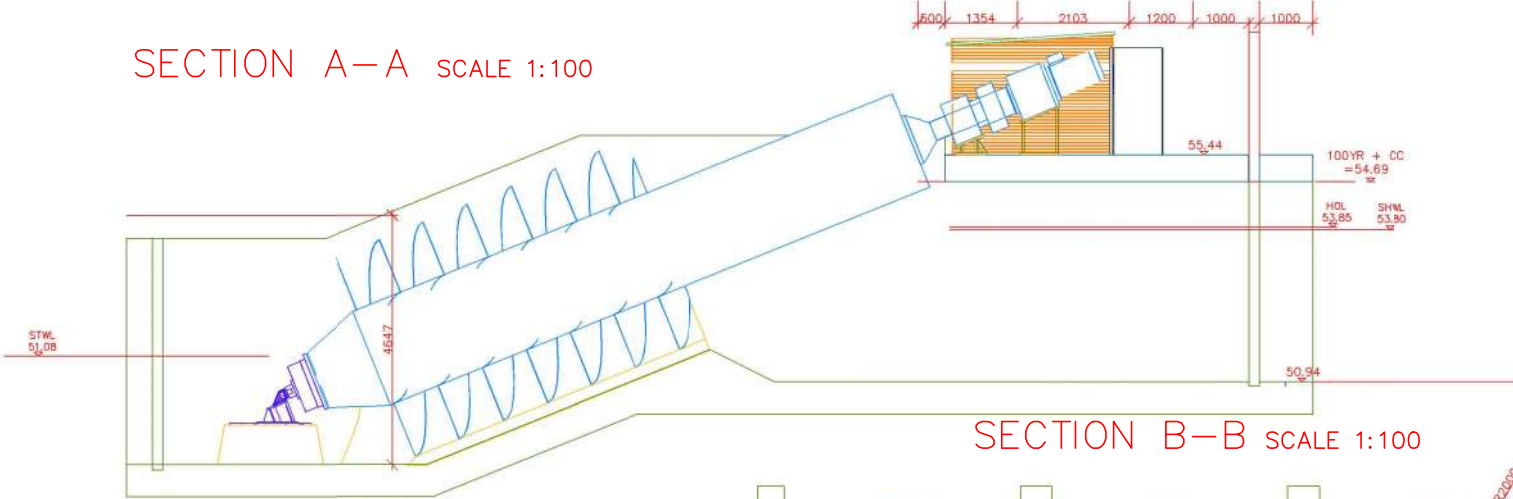
DRAWING TITLE :
 DOWNSTREAM VIEW

VIEWPORT : 1	LAYOUT : A3	DRAWING NO. -
DRAWN BY : VS/ST	CHECKED BY : BB	DWG-sw- VIRI
SCALE : 1:100	DATE : 26.02.2015	

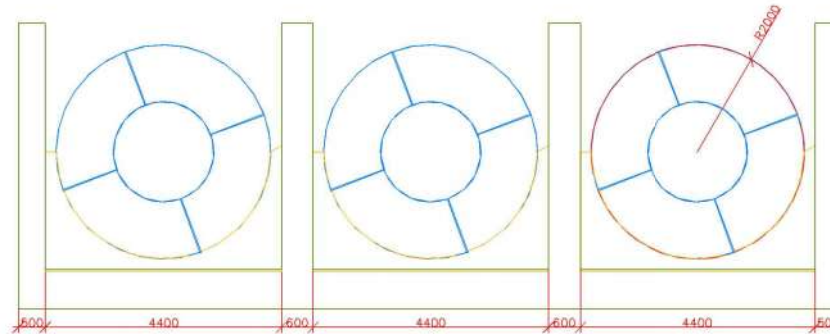


Appendix 2

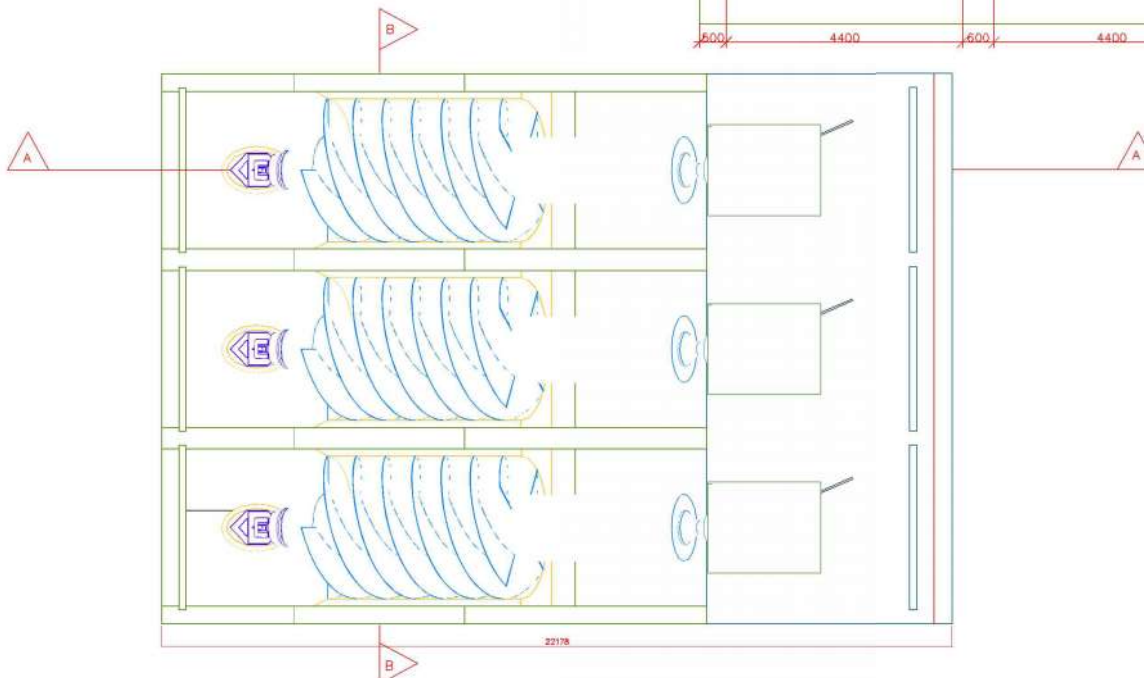
SECTION A-A SCALE 1:100



SECTION B-B SCALE 1:100



PLAN SCALE 1:150



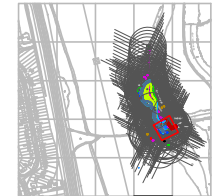
* ALL THE DIMENSIONS ARE IN MM. ALL LEVELS IN mAOD
 * DIMENSIONS ARE NOT TO BE SCALED FROM THE DRAWING UNLESS OTHERWISE SPECIFIED. THE CONTRACTOR IS TO CHECK ALL THE DIMENSIONS AND REPORT BACK IF ANY DISCREPANCIES ARE FOUND.
 * THE DRAWING IS TO BE READ IN CONJUNCTION WITH OTHER STANDARD DOCUMENTATION.

NO.	DATE	DESCRIPTION	BY

REVISIONS			

ISSUED FOR : ENVIRONMENT AGENCY

KEY PLAN :



CLIENT NAME :

LOW CARBON HUB

JOB TITLE :

PROPOSED SANDFORD WEIR HYDROPOWER

DRAWING TITLE :

TURBINE SECTIONS

VIEWPORT : 2	LAYOUT : A3	DRAWING NO. -
DRAWN BY : VS/ST	CHECKED BY : BB	DWG-sw TS-1
SCALE : AS SHOWN	DATE : 12/08/2014	



Appendix 2

FRONT ELEVATION
SCALE - 1:50



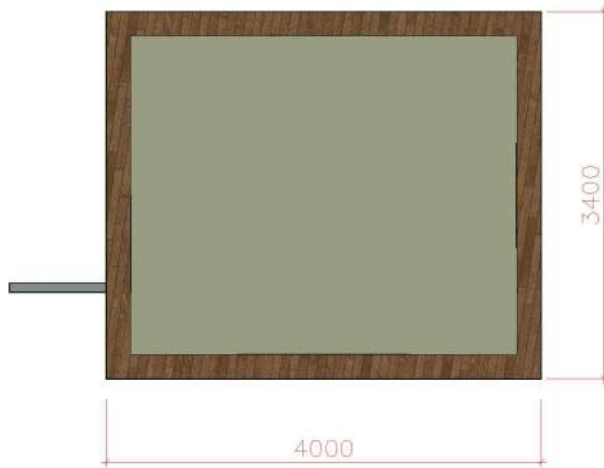
LEFT SIDE ELEVATION
SCALE - 1:50



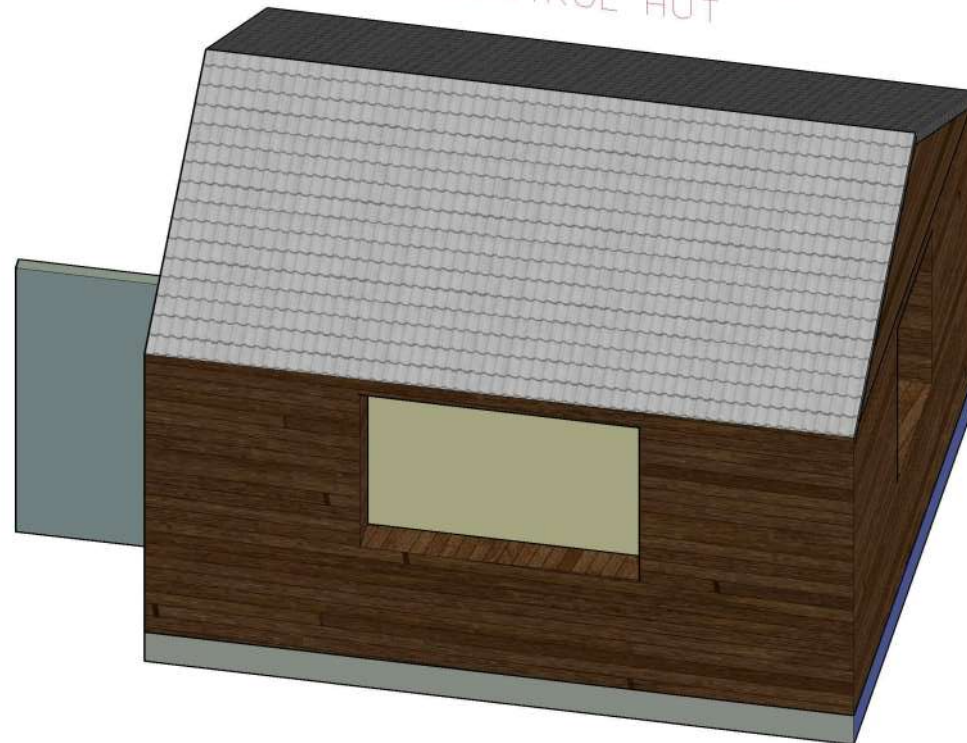
RIGHT SIDE ELEVATION
SCALE - 1:50



PLAN OF CONTROL HUT
SCALE - 1:50



ISOMETRIC VIEW OF
CONTROL HUT



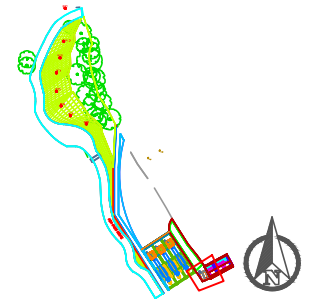
* ALL THE DIMENSIONS ARE IN MM.
* DIMENSIONS ARE NOT TO BE SCALED FROM THE DRAWING UNLESS OTHERWISE SPECIFIED. THE CONTRACTOR IS TO CHECK ALL THE DIMENSIONS AND REPORT BACK IF ANY DISCREPANCIES ARE FOUND.
* THE DRAWING IS TO BE READ IN CONJUNCTION WITH OTHER STANDARD DOCUMENTATION.

NO.	DATE	DESCRIPTION	BY

REVISIONS

ISSUED FOR : **ENVIRONMENT AGENCY**

KEY PLAN :

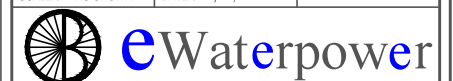


CLIENT NAME :
LOW CARBON HUB

JOB TITLE :
**PROPOSED SANDFORD WEIR
HYDROPOWER**

DRAWING TITLE :
CONTROL HUT DETAILS

VIEWPORT : 5	LAYOUT : A3	DRAWING NO. : -
DRAWN BY : VS/ST	CHECKED BY : BB	DWG-sw-CHI
SCALE : AS SHOWN	DATE : 13/ 08/ 2014	



Appendix 3

Planning

HEAD OF SERVICE : Adrian Duffield



CONSULTATION WITH KENNINGTON PARISH COUNCIL

OFFICER: Charlotte Brewerton

**PLEASE RETURN TO VOWH NOT LATER
THAN 12 NOON ON 16 JUNE 2015**

Planning@whitehorsedc.gov.uk
Tel : 01235 540546
Textphone: 18001 01235 540546

Abbey House Abbey Close
Abingdon OX14 3JE

Application Reference: P15/V0986/FUL (Full Application)
Application Type (see definition over): Minor
Proposal: To Install 3 Andritz Archimedean screw turbines on land adjacent to Sandford on Thames weir
Address: Sandford on Thames Weir Kennington Oxon

KENNINGTON PARISH COUNCIL:

FULLY SUPPORTS this application for the following reasons

has **NO OBJECTIONS** to this application

has **NO OBJECTIONS** to this application but wish the following comments to be taken into account :

OBJECTS to this application for the following reasons :

If you have a current Parish Plan does it support your view on this application?

If so, please give details of the relevant section below:

YES/NO
(Please circle)

.....
.....

Signed on behalf of Kennington Parish Council



Date 11 June 2015

PLEASE NOTE: We will display your comments on our website under 'consultations' in the specific application. If you have strong views on the application we encourage you to contact your local Ward Member and, if the application is referred to committee, attend the meeting to present your views.

Objection to P15/V0986/FUL Sandford-on-Thames weir, Kennington

Proposed: To install three Andritz Archimedean screw turbines on land adjacent to Sandford-on-Thames weir

Kennington Parish Council objects to this application on the same grounds as previously stated under planning application No P14/V2169/FUL excepting for the Council's understanding that after investigation there would seem to be no evidence that otters currently live in the back lagoon. i.e.

1. The 22m high pine trees needing to come down are some 150 years old with the replacement trees being wholly inadequate, losing the character and habitat which exists around this area.
2. The visual aspect of this construction is of concern to the Parish Council. Although there has been some effort made to soften the construction since the last application, there are still concerns with respect to the visual impact caused by the installation of the proposed machinery and necessary security / safety fencing . No change of design or materials used means that it still results in it being very much 'on view' changing the character of the landscape and giving a feeling of urbanisation in what at present is countryside.
3. Whilst explanation has now been given as to how the heavy plant is proposed to be brought on site, by constructing an access road across the meadow from Sandford Lane for the purpose of normal access for heavy construction vehicles there is still a fear that this will change the character of the area, completely spoiling the existing nature habitat of the meadow.
4. The heavy plant driving through Kennington village will have a detrimental impact on the village; in short it is felt that the project transport plan is ill conceived.
5. The towpath and area around the river is enjoyed by many residents of Kennington together with many boat users of the Thames. This project will destroy an environment that has been enjoyed by many generations from walkers, cyclists, ramblers, river users and families.
6. Additionally, although a full Flood Risk Assessment has been carried out there is no mention of the future Flood Alleviation Scheme, the route of which has not been decided upon. The Parish Council would ask for this application to be held in abeyance until the route of the above Flood Alleviation scheme has been decided upon and to work with the relevant third parties to ensure a cohesive strategy.